

#10-32 SHUTTLE VALVES



Shuttle Valves

There are three models of shuttle valves offered by Clippard. These valves feature a shuttle that allows flow from one inlet to the outlet while blocking the other inlet. They may be mounted directly to valves and cylinders or in-line using the hose bars on the MSV models.

Poppet type shuttle (double check) valve.
Brass body, and poppet, Nitrile seal



Medium: Air, Water or Oil

Input Pressure: 250 psig max.

Air Flow: 5.0 scfm @ 50 psig; 9.5 scfm @ 100 psig

Mounting: Direct or in-line

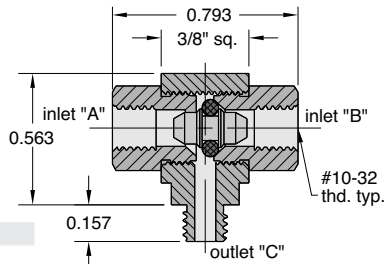
Operation: Flow from "A" to "C" or "B" to "C"

Pressure to Shift: 1/2 psig approx.

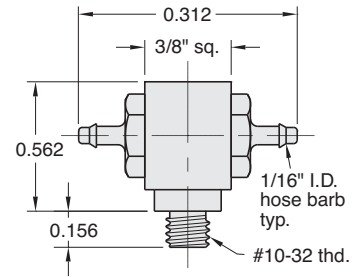
Exhaust: Through port where pressure was last applied



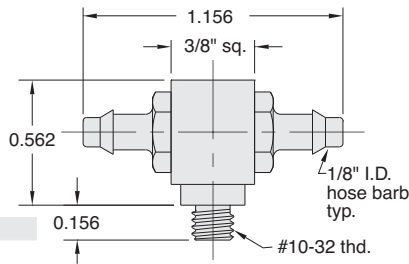
RoHS Note: Shuttle valves should not be used as a pressure selector



Part No.
MSV-1



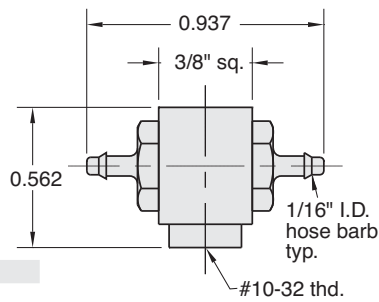
Part No.
MSV-1M22



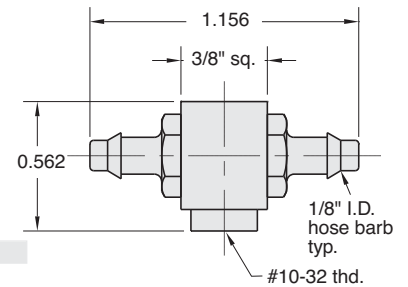
Part No.
MSV-1M44



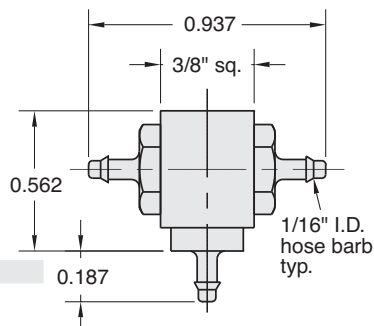
Part No.
MSV-1FFF



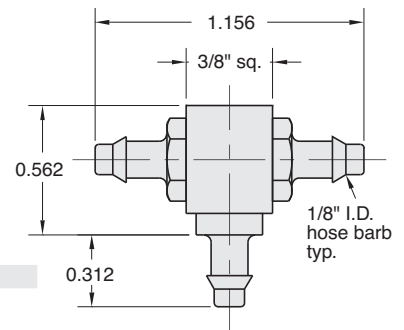
Part No.
MSV-1F22



Part No.
MSV-1F44



Part No.
MSV-1222



Part No.
MSV-1444

Metric line available. Visit www.clippard.com

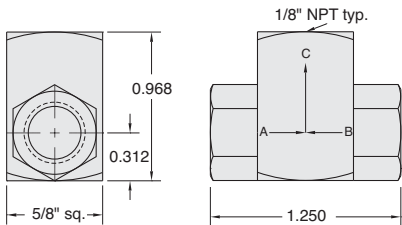


SHUTTLE VALVES

Poppet Type Shuttle Valves



Brass body, Delrin Poppet, Nitrile seal



Medium: Air, Water or Oil

Input Pressure: 300 psig - air; 1,000 psig - hydraulic

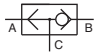
Air Flow: 14 scfm @ 50 psig; 26 scfm @ 100 psig

Mounting: Direct or in-line

Operation: Flow from "A" to "C" or "B" to "C"

Pressure to Shift: 1/2 psig approx.

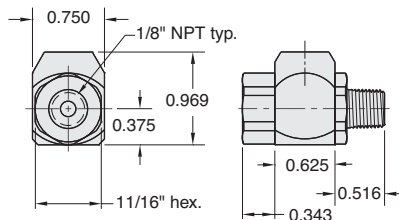
Note: Shuttle valves should not be used as a pressure selector



Part No. Description

MISV-1 Poppet Shuttle Valve, 1/8" NPT

J-Series Shuttle Valves



Part No.
ISV-2PFE

Poppet type shuttle (double check) valve. Brass body, stainless steel shuttle, Nitrile seal

Medium: Air, Water or Oil

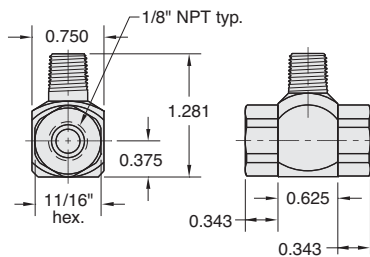
Input Pressure: 300 psig max.

Air Flow: 30 scfm @ 50 psig
50 scfm @ 100 psig

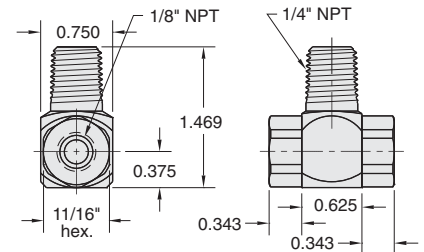
Mounting: Direct or in-line

Pressure to Shift: 1 psig approx.

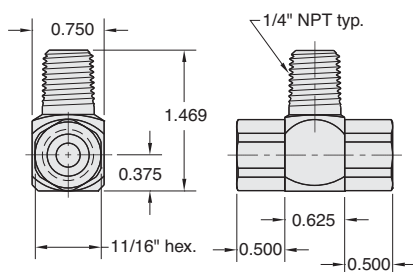
Note: Shuttle valves should not be used as a pressure selector



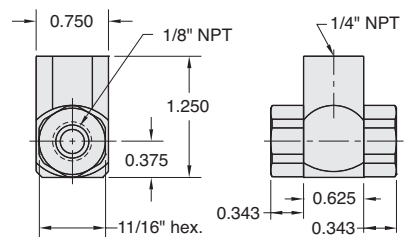
Part No.
ISV-2PFF



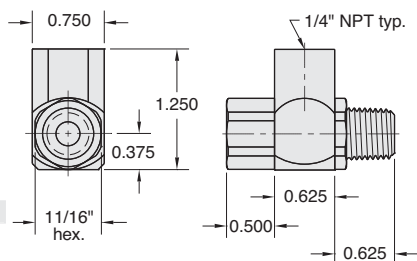
Part No.
ISV-2WFF



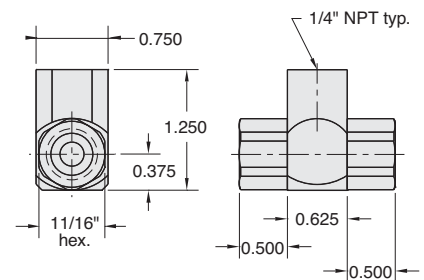
Part No.
ISV-2WYY



Part No.
ISV-2YFF



Part No.
ISV-2YWY



Part No.
ISV-2YYW